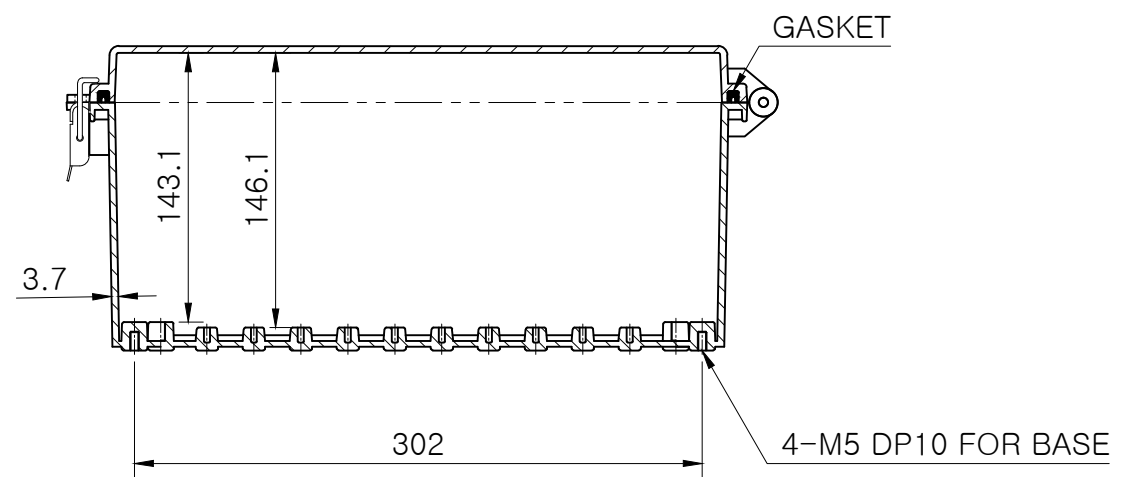
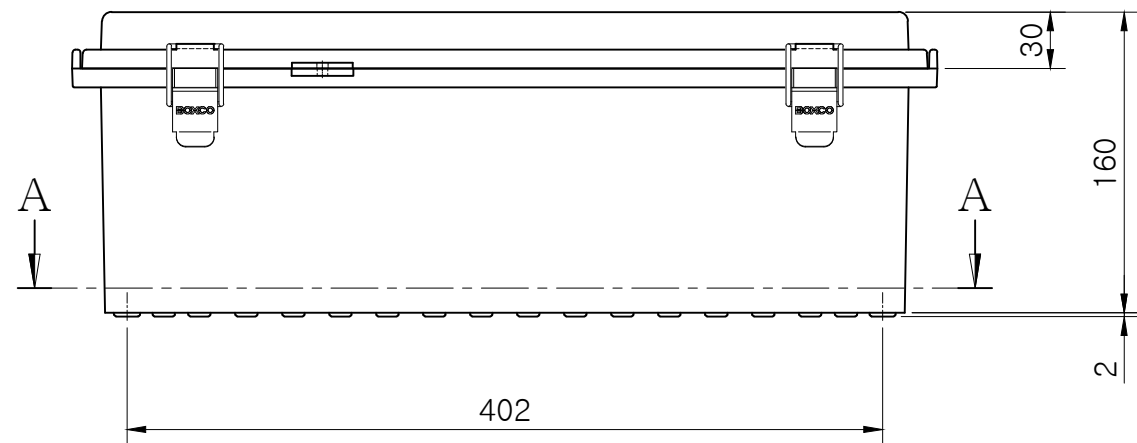


SECTION A-A



SECTION B-B

Note.

| | | | | | | | |
|-----------------|-----------------|------------------|-------------|-----------|---------------|--------------|---|
| MODEL (모델) | BC-□□P-354516 | D R (재도) | JUNG, Y.J. | 16.04.22 | UNIT (단위) | mm | |
| ASSY (완성 규격) | 350 * 450 * 160 | C K (검도) | PARK, Y.J. | 16.04.22 | SCALE (척도) | 1:4 | |
| DWG NO (도번) | P-354516-03 | MATERIAL (재질) | A P (승인) | KIM, D.S. | 16.04.23 | REV. (개정) | 0 |

BOXCO®