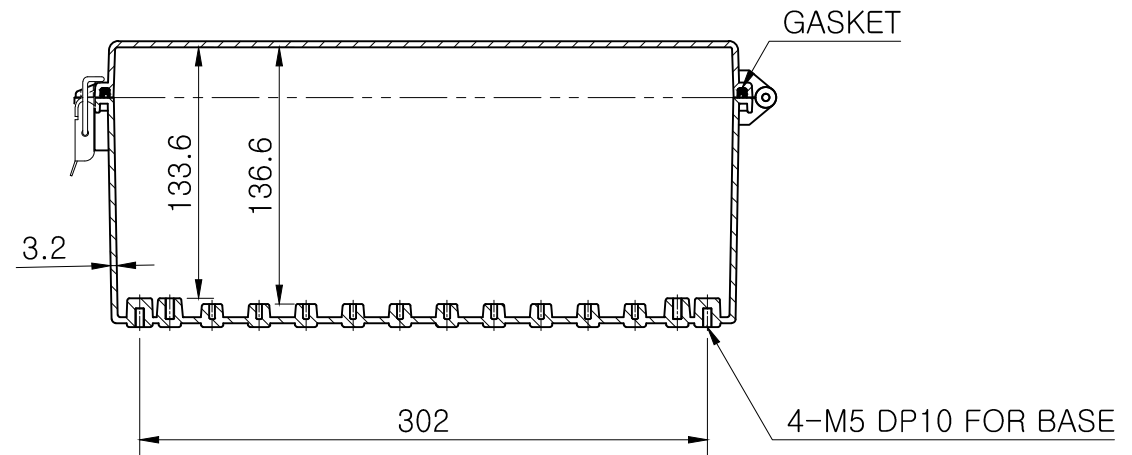
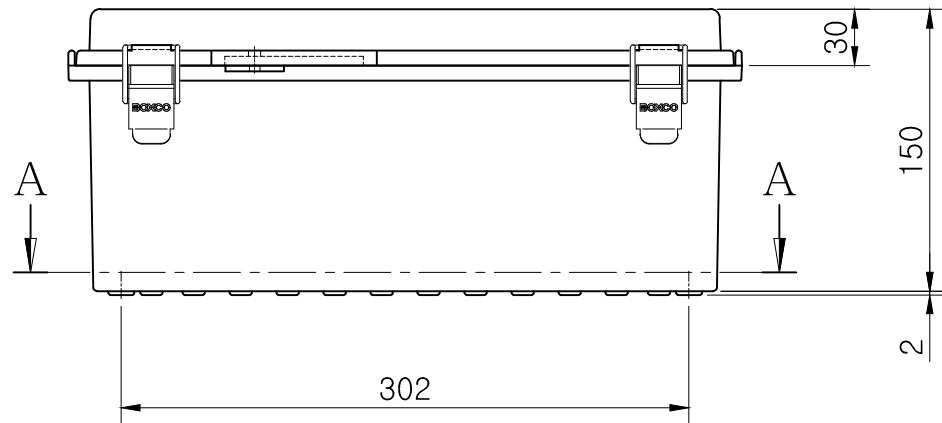


SECTION A-A



SECTION B-B

Note.

| | | | | | | | |
|-----------------|-----------------|------------------|-------------|----------|---------------|--------------|---|
| MODEL (모델) | BC-□□P-353515 | D R (재료) | JUNG,Y.J. | 16.04.13 | UNIT (단위) | mm | |
| ASSY (완성 규격) | 350 * 350 * 150 | C K (검도) | PARK,Y.J. | 16.04.13 | SCALE (척도) | 1:4 | |
| DWG NO (도번) | P-353515-03 | MATERIAL (재질) | A P (승인) | KIM,D.S. | 16.04.14 | REV. (개정) | 0 |

