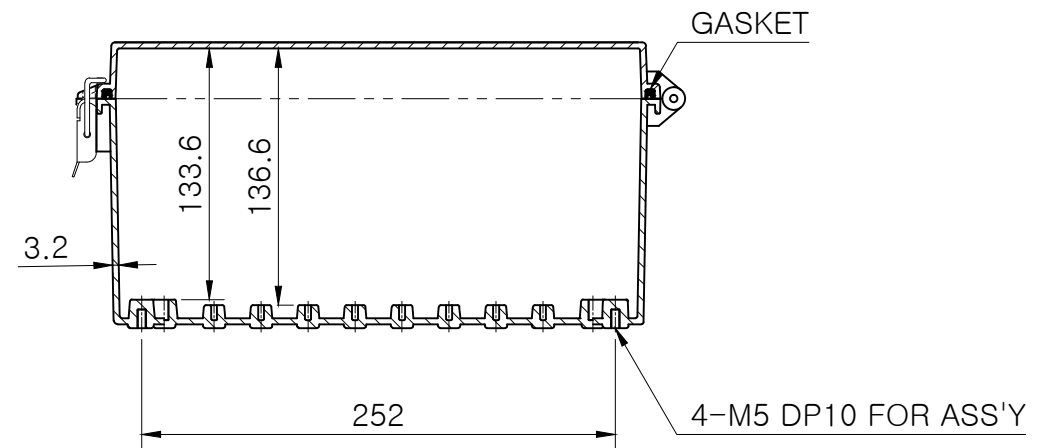
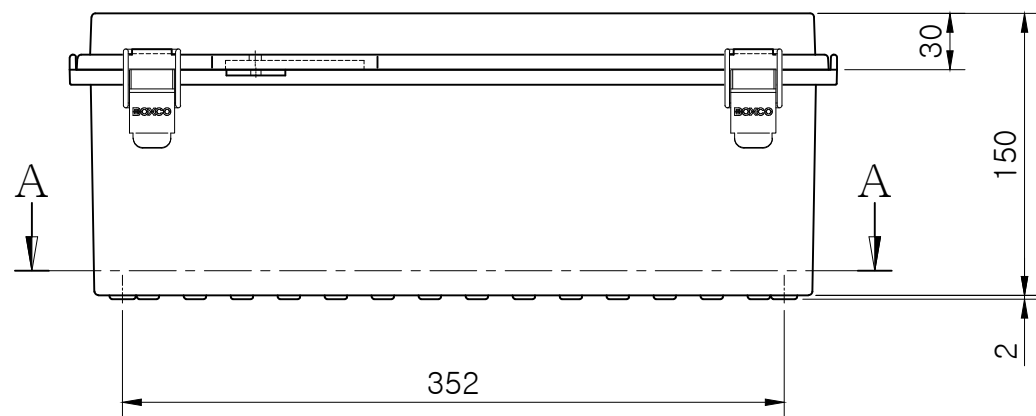


SECTION A-A



Note.

MODEL (모델)	BC-□□P-304015	D R (재도)	JUNG, Y.J.	16.04.13	UNIT (단위)	mm
ASSY (완성 규격)	300 * 400 * 150	C K (검도)	PARK, Y.J.	16.04.13	SCALE (척도)	1:4
DWG NO (도번)	P-304015-03	A P (승인)	KIM, D.S.	16.04.14	REV. (개정)	0
MATERIAL (재질)						

**BOXCO**<sup>®</sup>