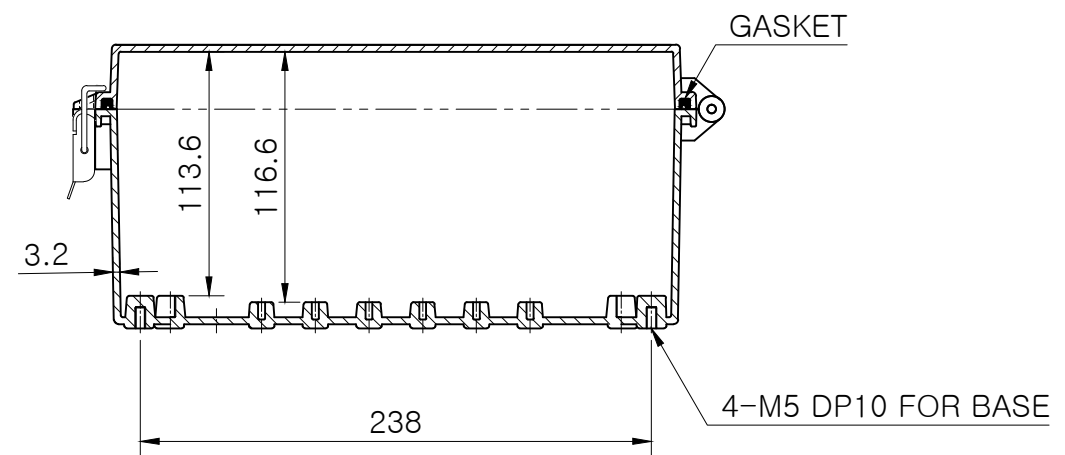
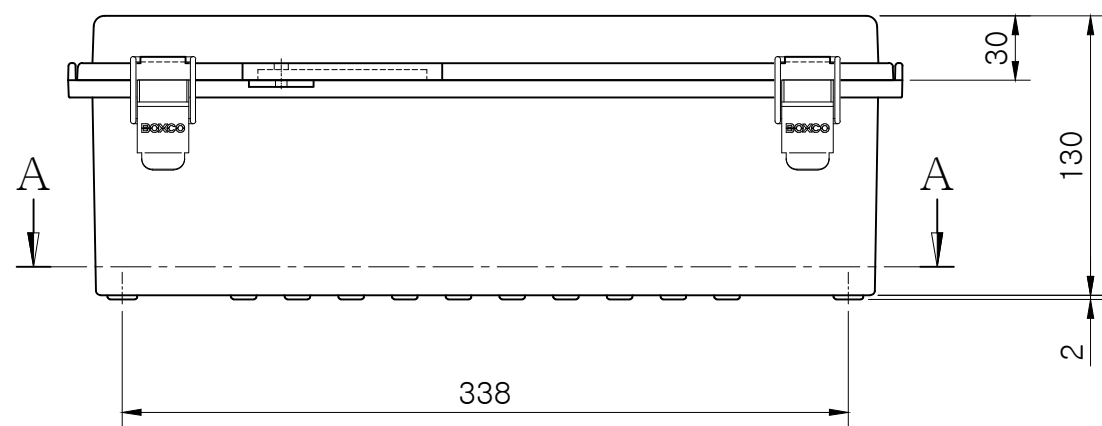


SECTION A-A



SECTION B-B

Note.

MODEL (모델)	BC-□□P-283813	D R (재도)	JUNG,Y.J.	16.04.14	UNIT (단위)	mm
ASSY (완성 규격)	280 * 380 * 130	C K (검도)	PARK,Y.J.	16.04.14	SCALE (척도)	1:3.5
DWG NO (도번)	P-283813-03	A P (승인)	KIM,D.S.	16.04.15	REV. (개정)	0
MATERIAL (재질)						

BOXCO[®]