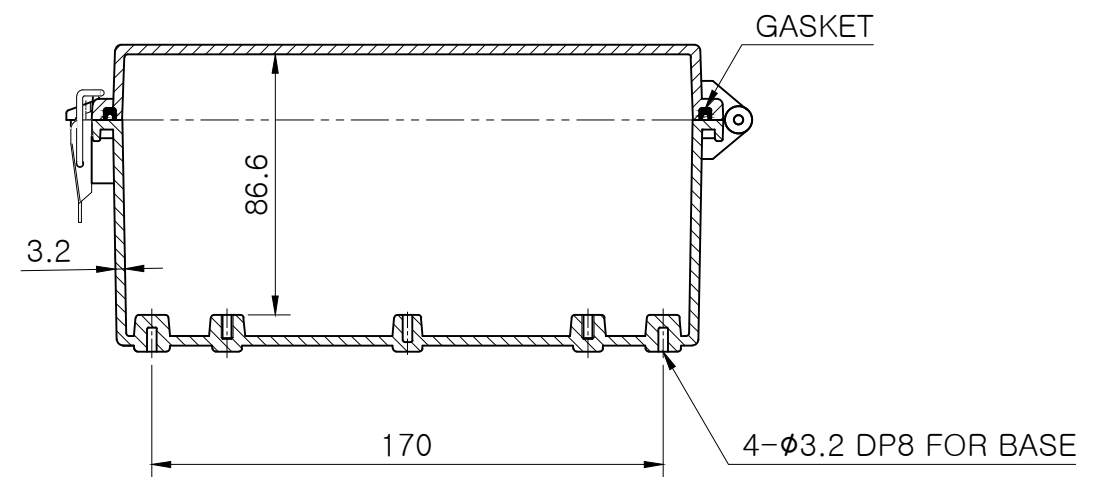
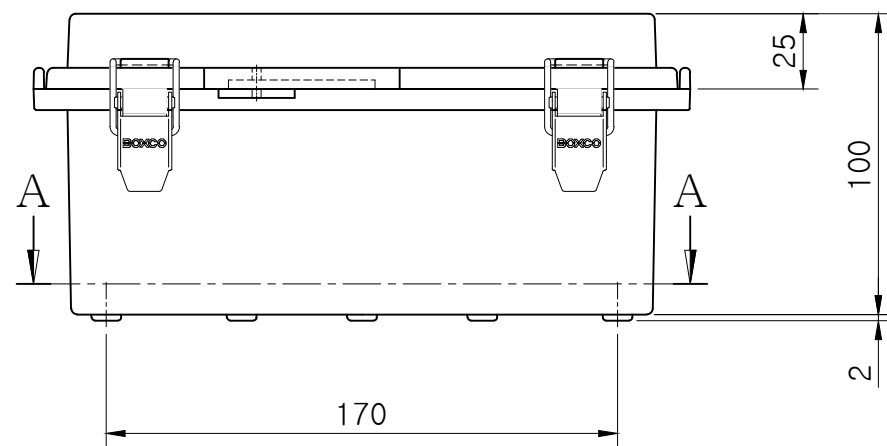


SECTION A-A



SECTION B-B

Note.

MODEL (모델)	BC-□□P-212110	D R (재도)	JUNG, Y.J.	16.04.12	UNIT (단위)	mm
ASSY (완성 규격)	210 * 210 * 100	C K (검도)	PARK, Y.J.	16.04.12	SCALE (척도)	1:2.5
DWG NO (도번)	P-212110-03	A P (승인)	KIM, D.S.	16.04.13	REV. (개정)	0
MATERIAL (재질)						

