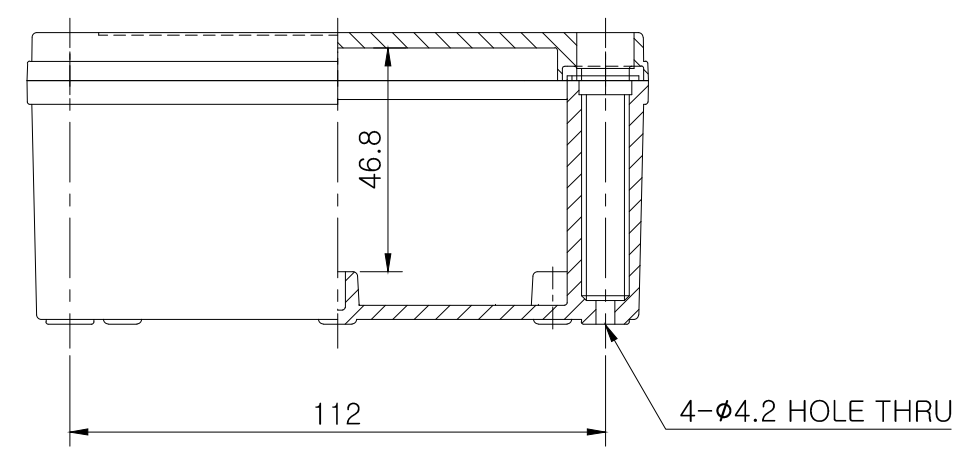
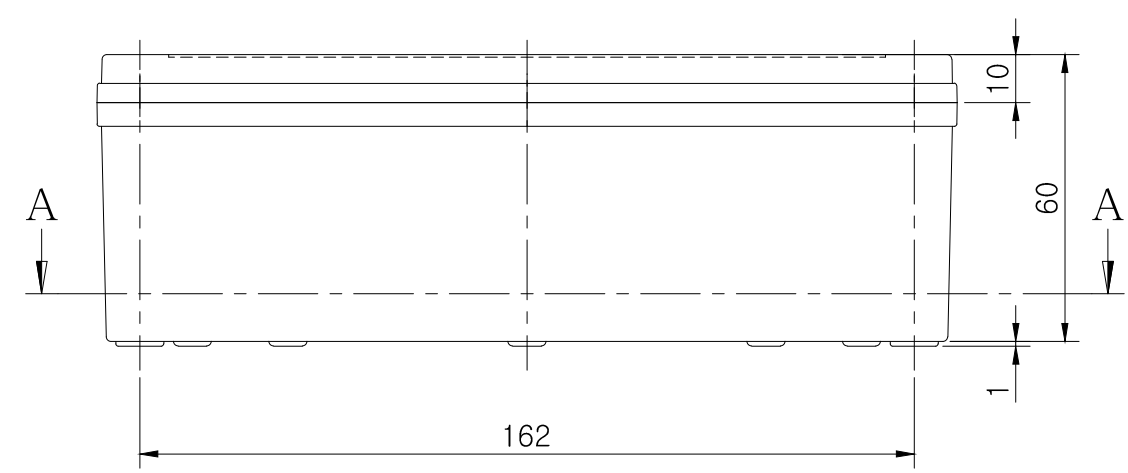


SECTION A-A



Note.
M4 * 10 Round headed bolt * 4
BC-CB10 * 4

MODEL (모델)	BC-□□M-131806		DR (제도)	JUNG,Y.J.	16.11.18	UNIT (단위)	mm
ASSY (완성 규격)	130 * 180 * 60		CK (검도)	PARK,Y.J.	16.11.18	SCALE (척도)	1:1.5
DWG NO (도번)	M-131806-03	MATERIAL (재질)	AP (승인)	KIM,D.S.	16.11.19	REV. (개정)	0

