

1 2 3 4 5 6 7 8

A

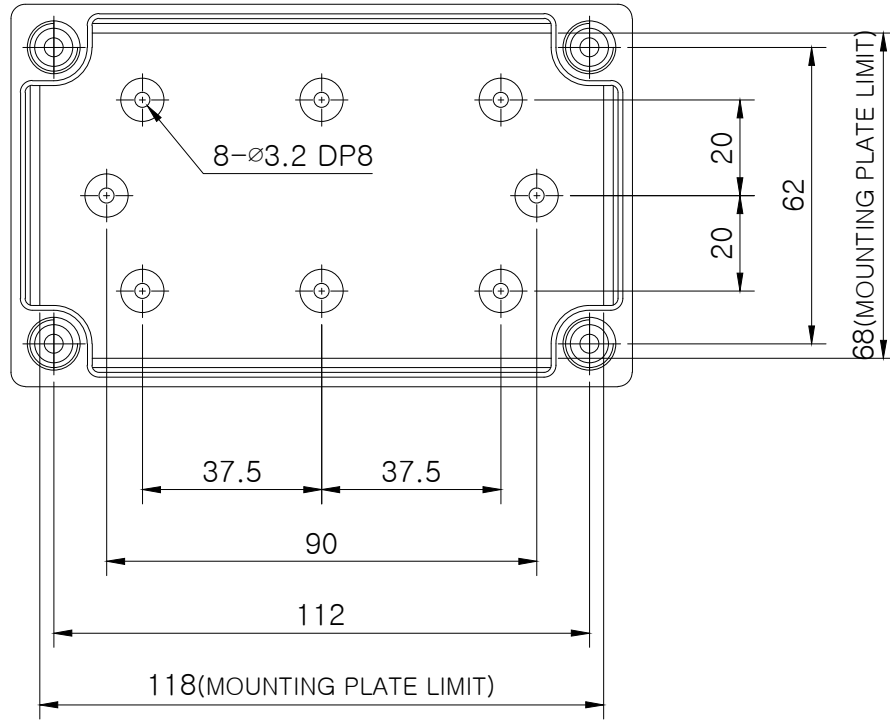
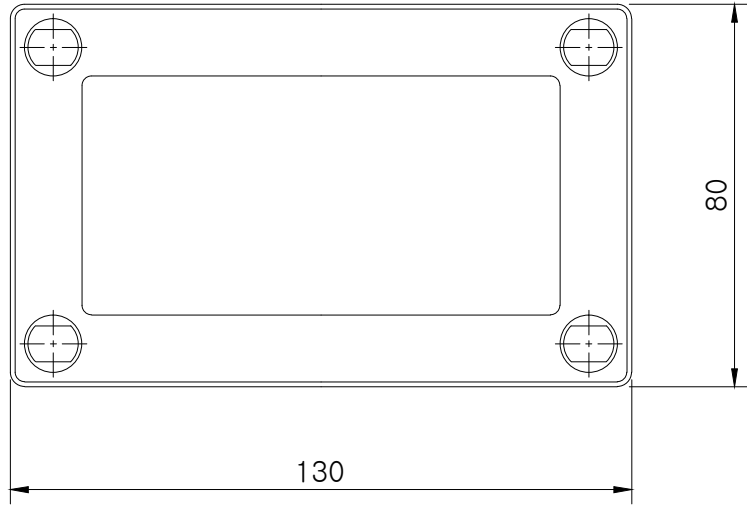
B

C

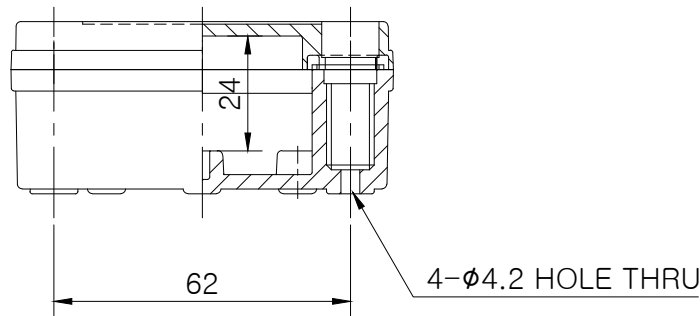
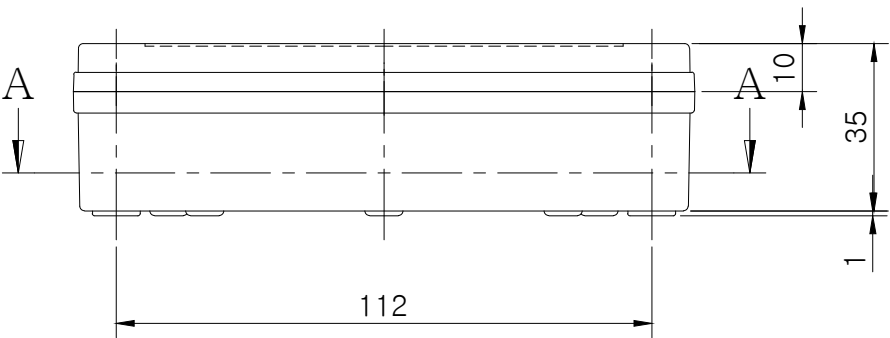
D

E

F



SECTION A-A



Note.
M4 * 10 Round headed bolt * 4
BC-CB10 * 4

MODEL (모델)	BC-□□M-081303			DR (제도)	JUNG,Y.J.	16.11.22	UNIT (단위)	mm
ASSY (완성 규격)	80 * 130 * 35			CK (검도)	PARK,Y.J.	16.11.22	SCALE (척도)	1:1.5
DWG NO (도번)	M-081303-03	MATERIAL (재질)		AP (승인)	KIM,D.S.	16.11.23	REV. (개정)	0

